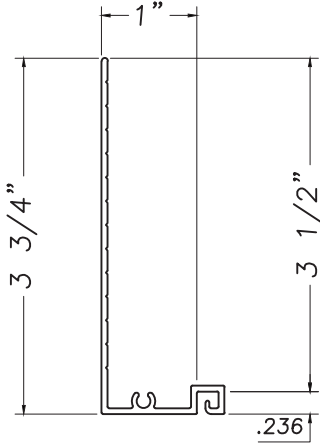
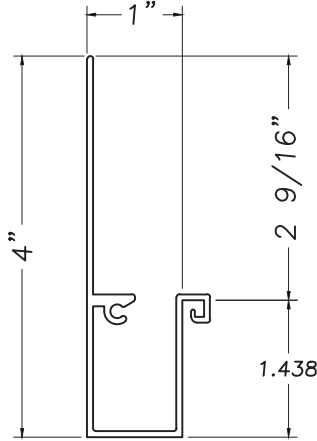




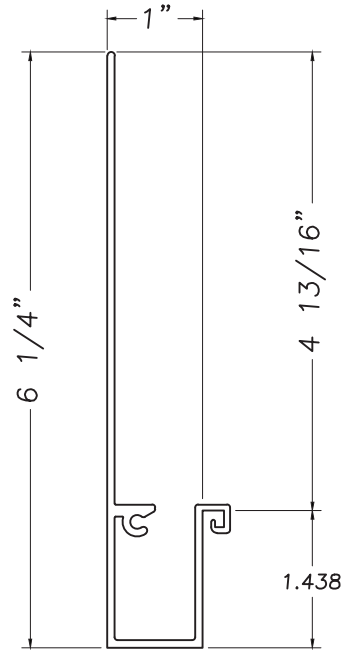
Rosenthal Hall Panning
M3040



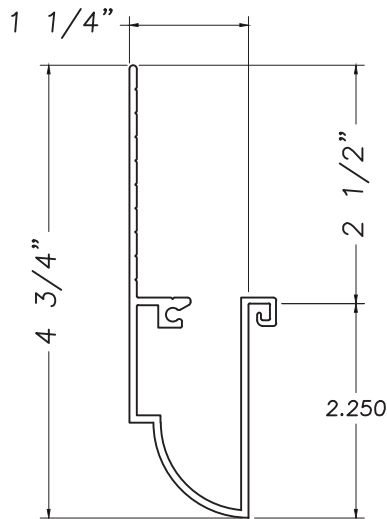
Panning
M17165



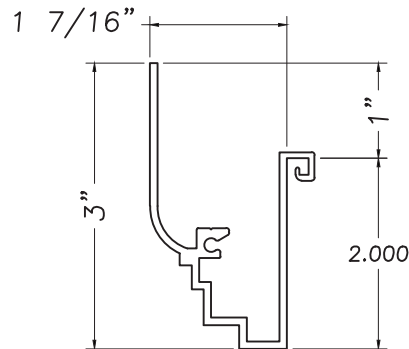
Historic Panning
M19809



Leila Lofts Panning
M21218



Exterior Panning
M21164

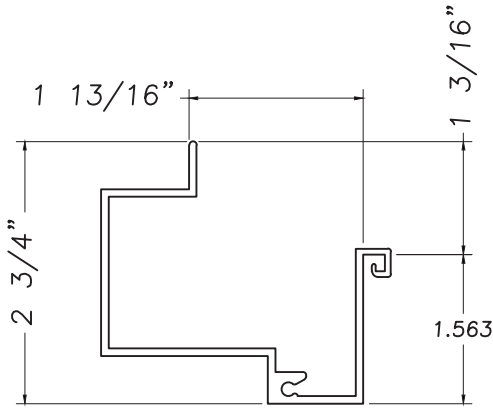


Our products are tested to the standards of and certified by the American Architectural Manufacturer's Association, the National Fenestration Rating Council and the Window & Door Manufacturers Association.

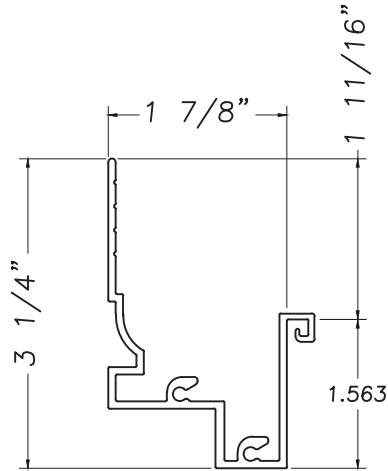




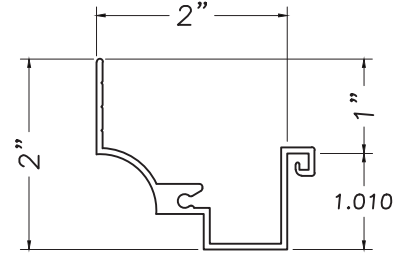
Historic Panning
M16445



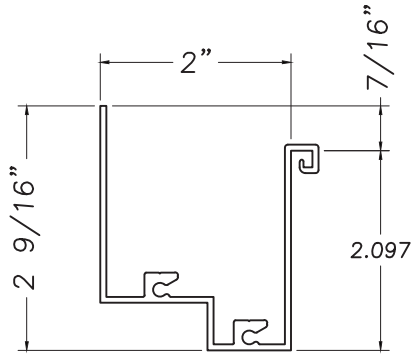
Panning
M2125



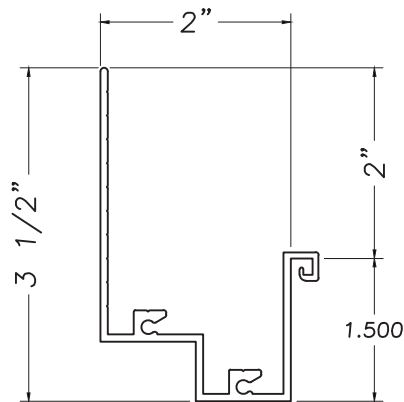
Panning
M16175



Colt Panning
MAX19893

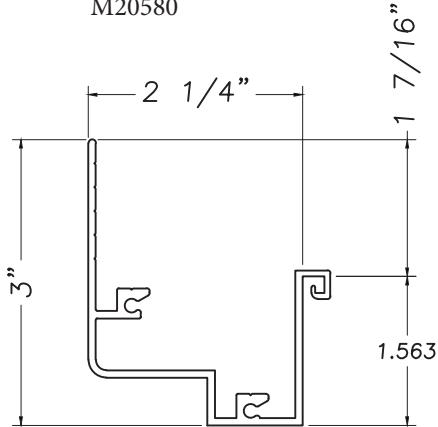


Exterior Panning
M20861

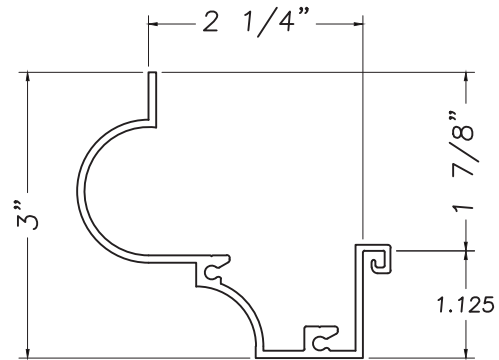




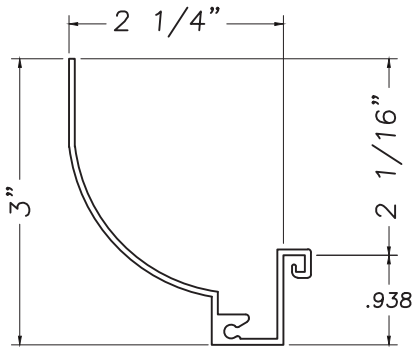
Exterior Panning
M20580



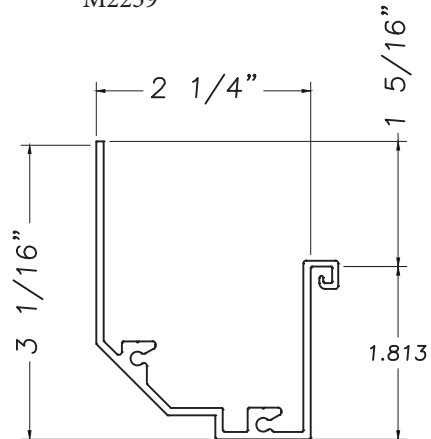
Panning
M20923



Historic Panning
M16249



Panning
M2239

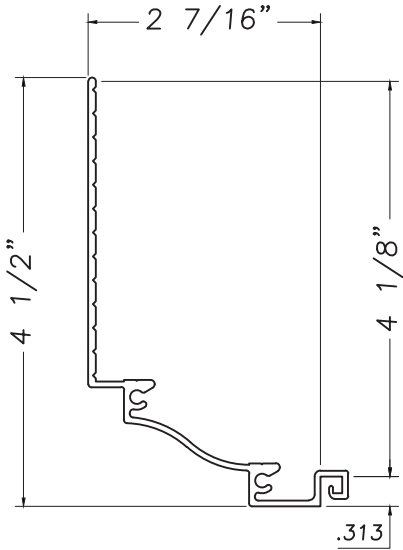


Our products are tested to the standards of and certified by the American Architectural Manufacturer's Association, the National Fenestration Rating Council and the Window & Door Manufacturers Association.

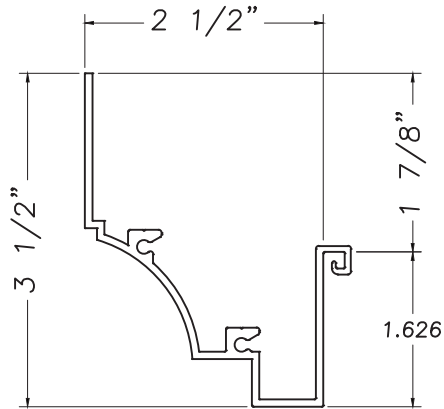




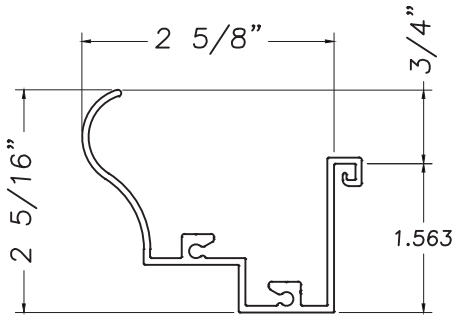
Panning
MAX18291



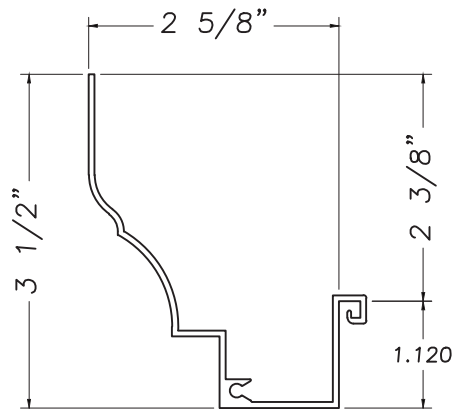
Panning
M2240



Windemere Panning
M19887



Historic Panning
M16353



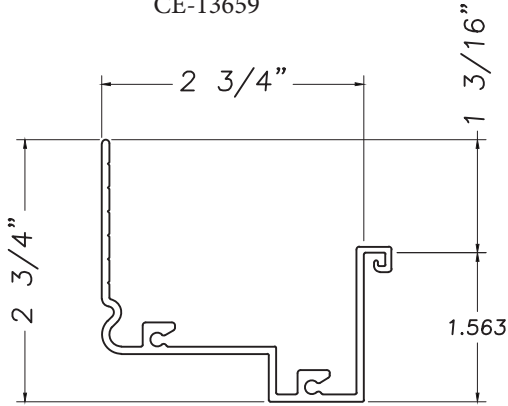
Our products are tested to the standards of and certified by the American Architectural Manufacturer's Association, the National Fenestration Rating Council and the Window & Door Manufacturers Association.



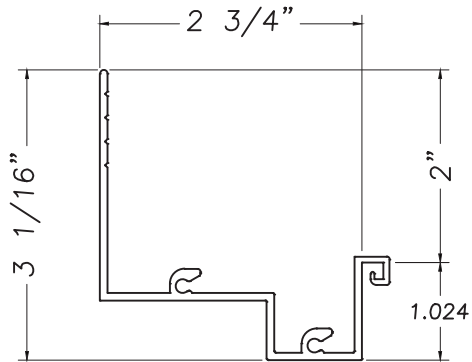
QUAKER
COMMERCIAL WINDOWS AND DOORS



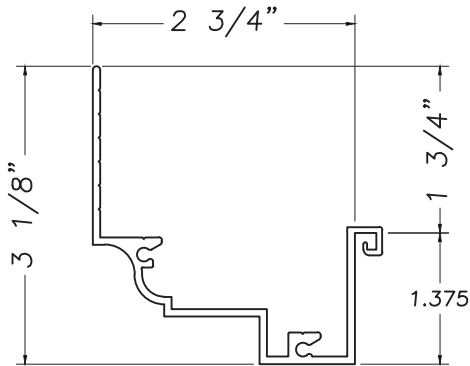
Crown Panning
CE-13659



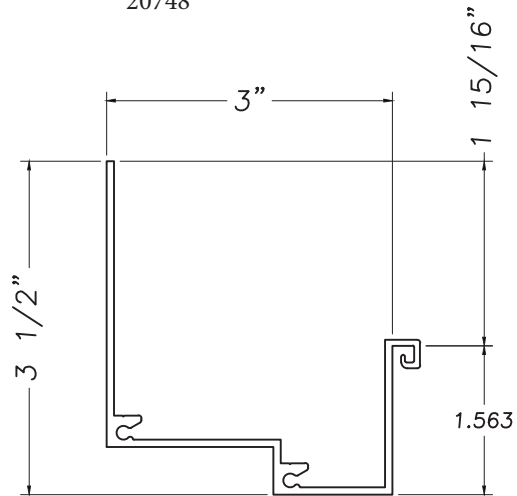
Broadview Panning
M2109



Lennox Panning
M20590



Panning
20748

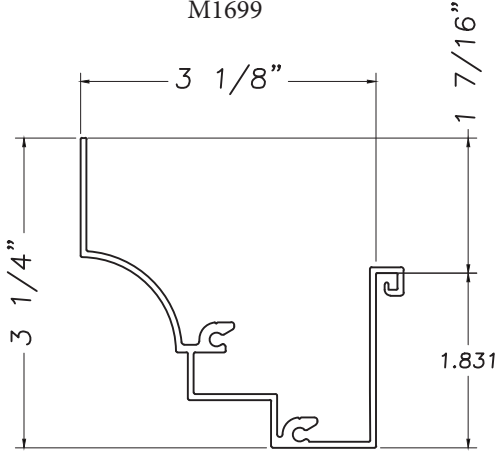


Our products are tested to the standards of and certified by the American Architectural Manufacturer's Association, the National Fenestration Rating Council and the Window & Door Manufacturers Association.

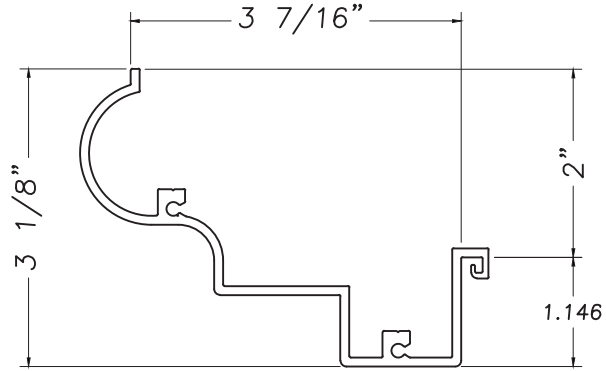




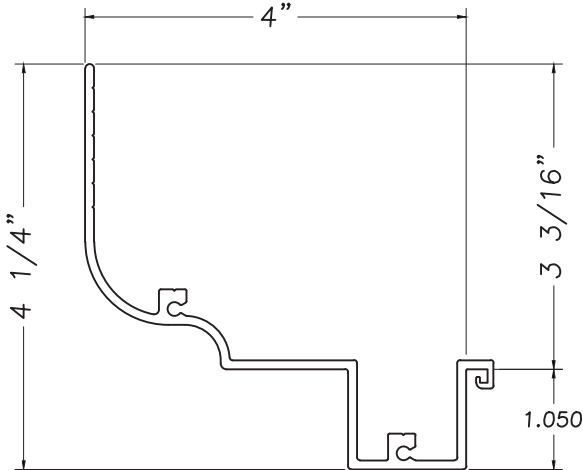
Panning
M1699



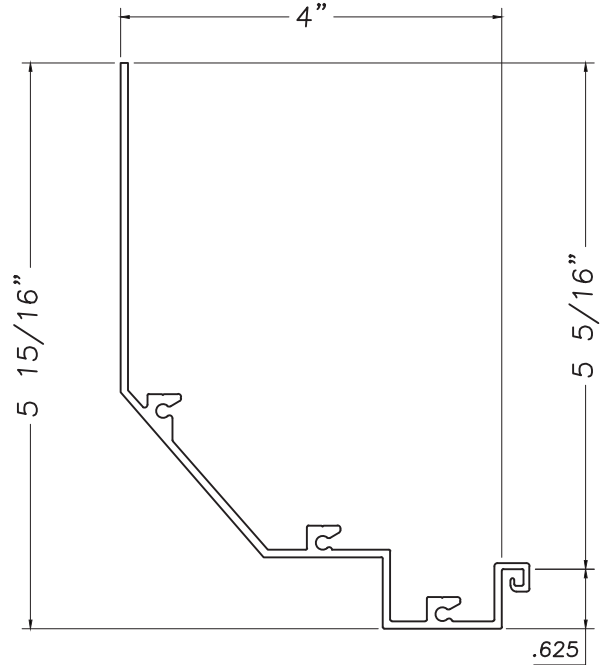
Panning
M13939



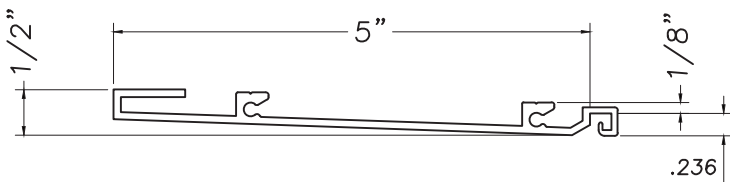
4" Panning
M14271



Panning
M18518



Panning
M21553



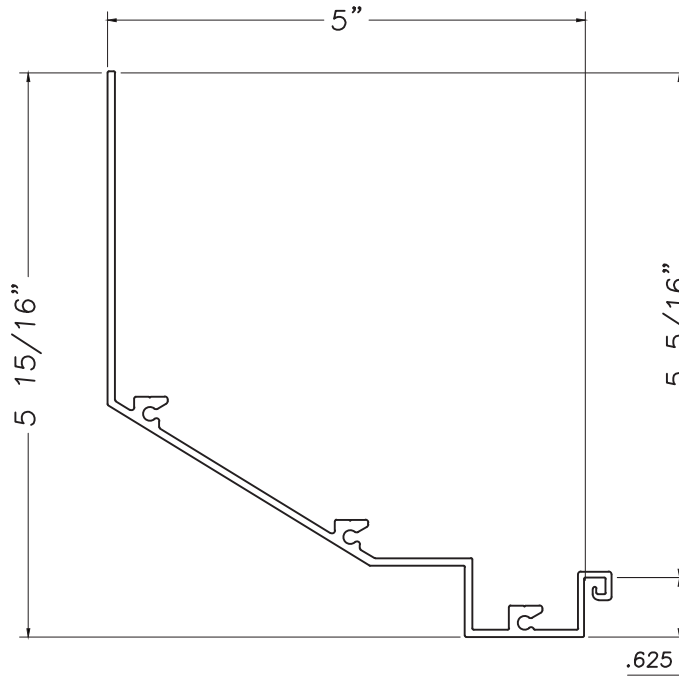
Our products are tested to the standards of and certified by the American Architectural Manufacturer's Association, the National Fenestration Rating Council and the Window & Door Manufacturers Association.



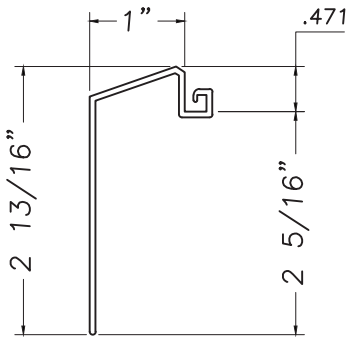
QUAKER
COMMERCIAL WINDOWS AND DOORS



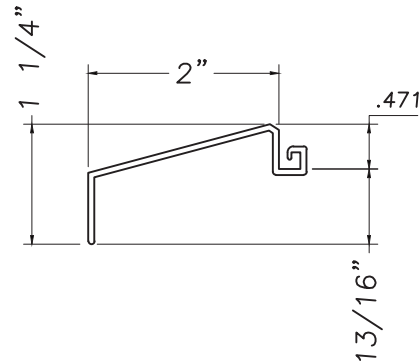
Panning
M18400



Offset Panning Sill
M19810



Colt Panning Sill
M19894

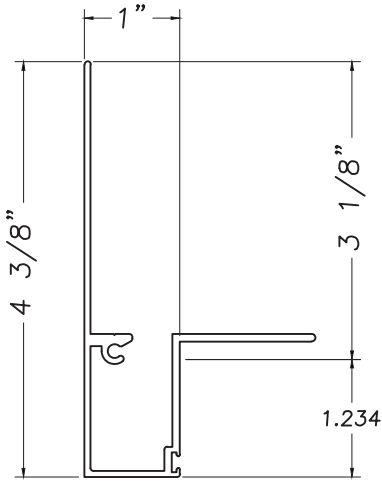


Our products are tested to the standards of and certified by the American Architectural Manufacturer's Association, the National Fenestration Rating Council and the Window & Door Manufacturers Association.

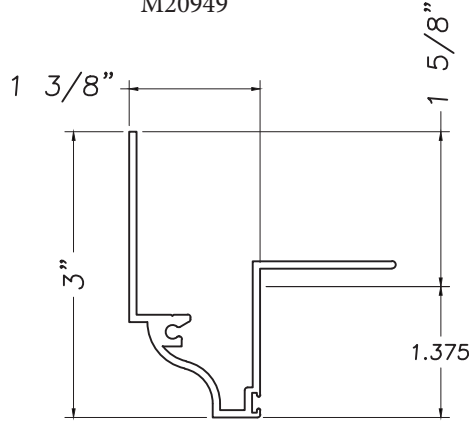




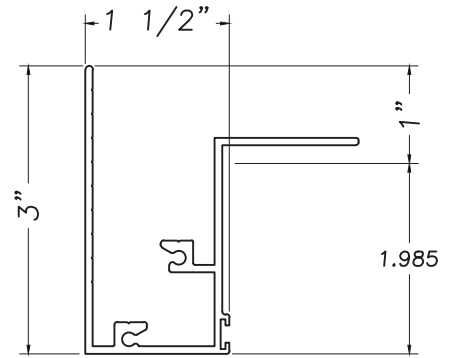
Wiley Panning
M20505



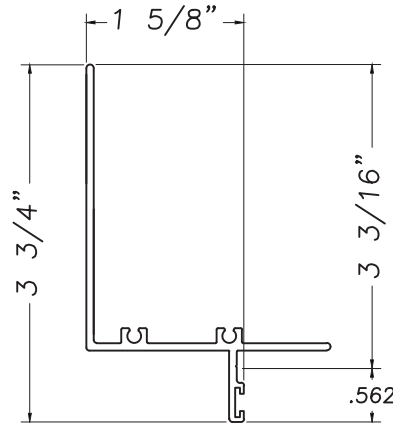
Exterior Panning
M20949



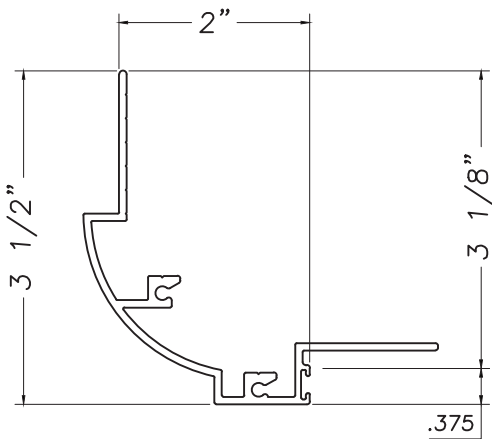
Exterior Panning
M21662



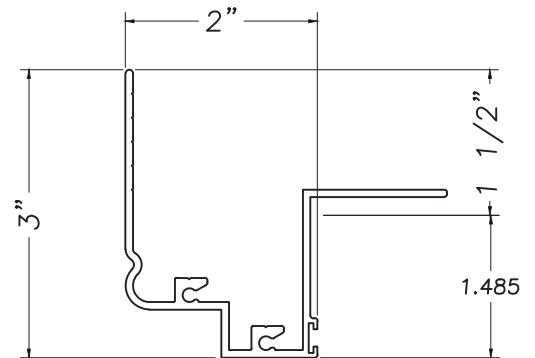
Panning
M14957



Fixed Panning
M3033



Historical Panning
M21663



Our products are tested to the standards of and certified by the American Architectural Manufacturer's Association, the National Fenestration Rating Council and the Window & Door Manufacturers Association.

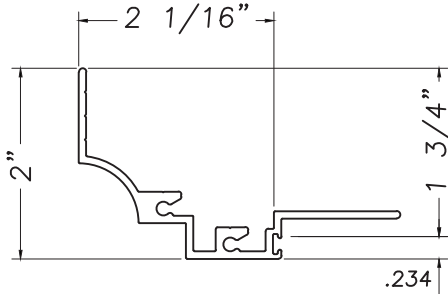


QUAKER
COMMERCIAL WINDOWS AND DOORS



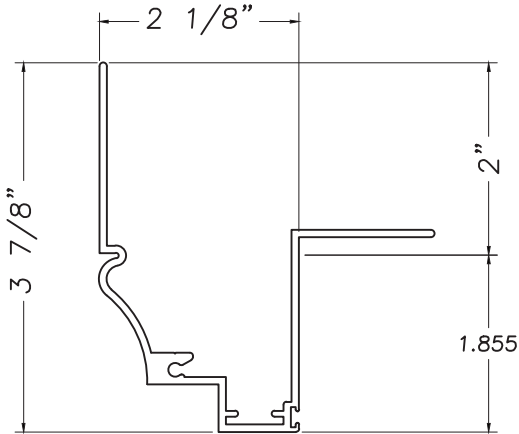
Distrikt Bldg Panning

M3046



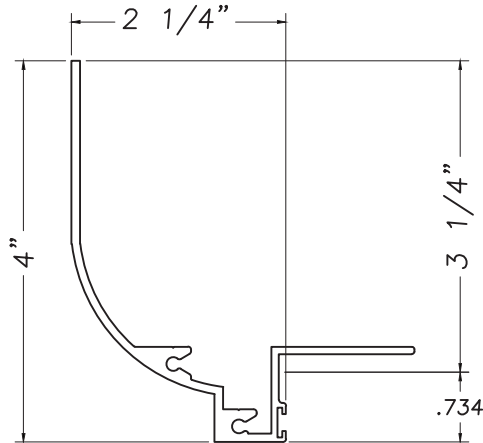
Historical Panning

M2098



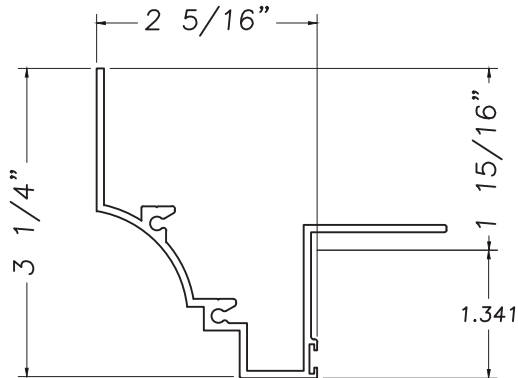
Shoreland Panning

M19663



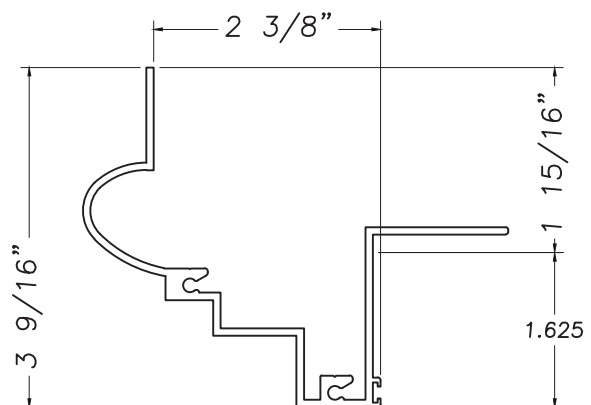
Goldblat Panning

M20627



Auburn Panning

M21345

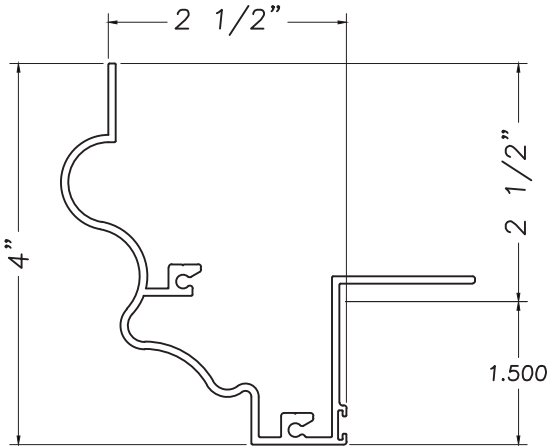


Our products are tested to the standards of and certified by the American Architectural Manufacturer's Association, the National Fenestration Rating Council and the Window & Door Manufacturers Association.

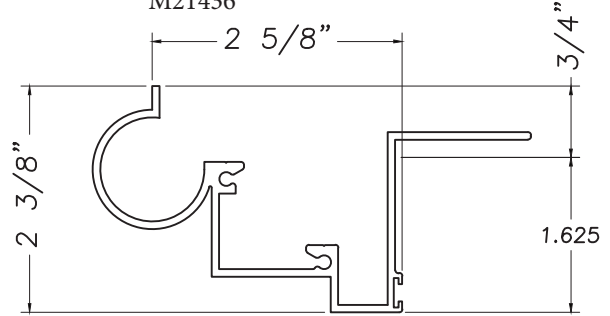




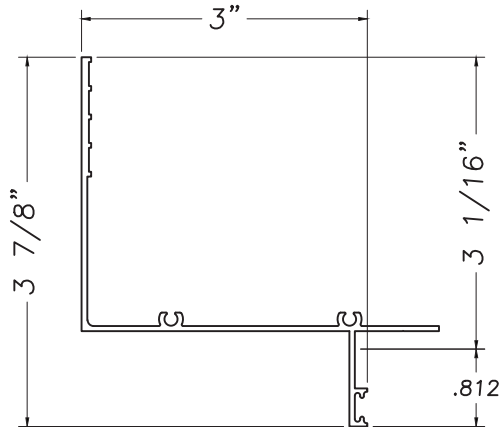
St. Mary's School Panning
M3100



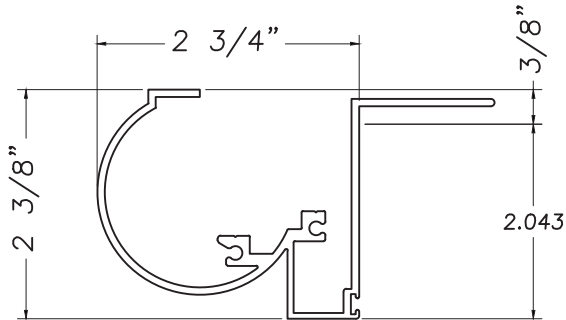
Vinton Panning
M21436



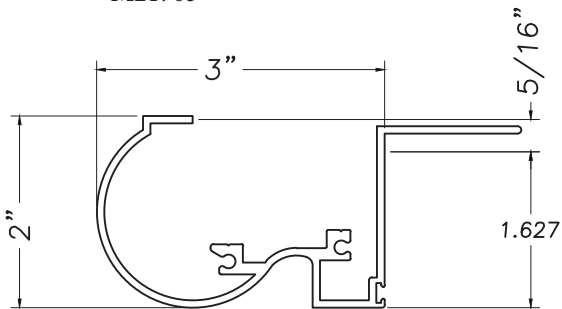
3" Head & Jamb Panning
M6938



Crossroads Panning
M21366



Panning
M21705



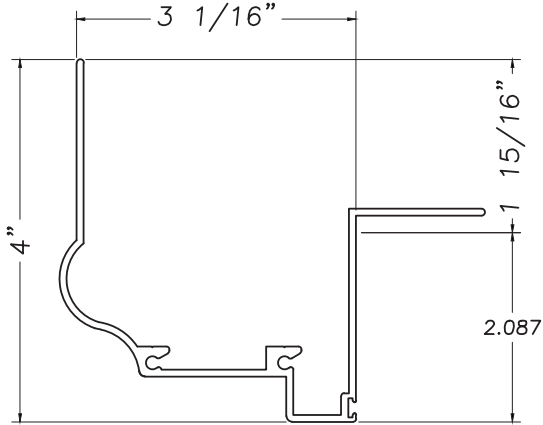
Our products are tested to the standards of and certified by the American Architectural Manufacturer's Association, the National Fenestration Rating Council and the Window & Door Manufacturers Association.





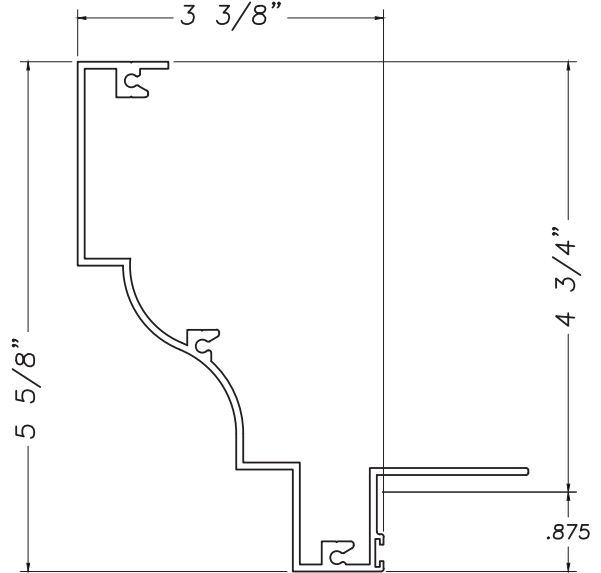
Historical Panning

M2097



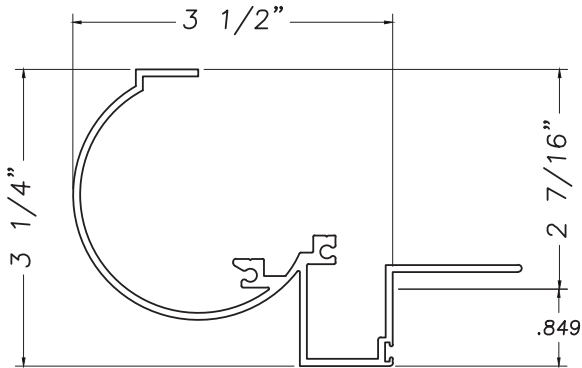
Flanged Panning

M20440



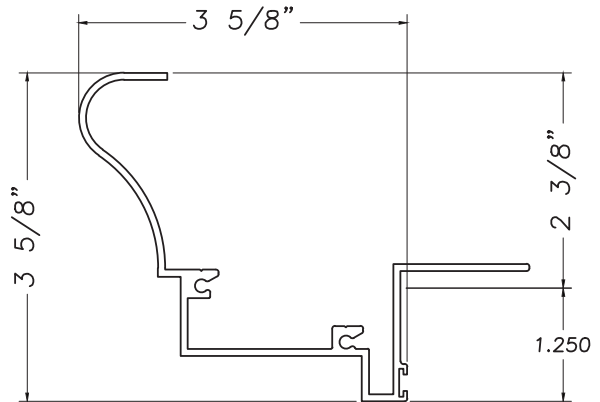
Spring St. Panning

M21661



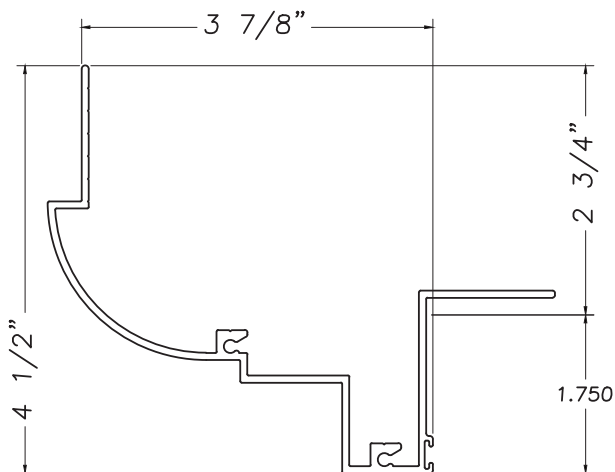
Drayton Mill Panning

M20844



Hung Panning

M3034



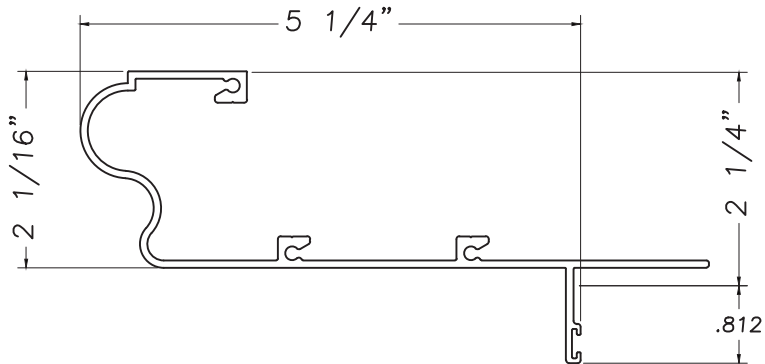
Our products are tested to the standards of and certified by the American Architectural Manufacturer's Association, the National Fenestration Rating Council and the Window & Door Manufacturers Association.





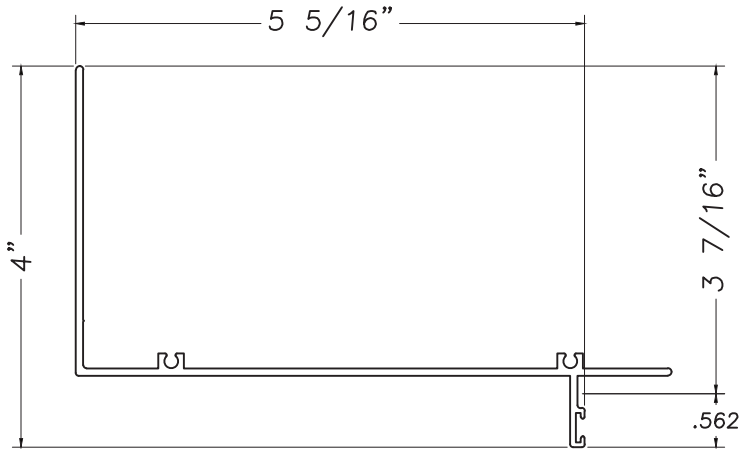
Broadway Lofts Panning

M3061



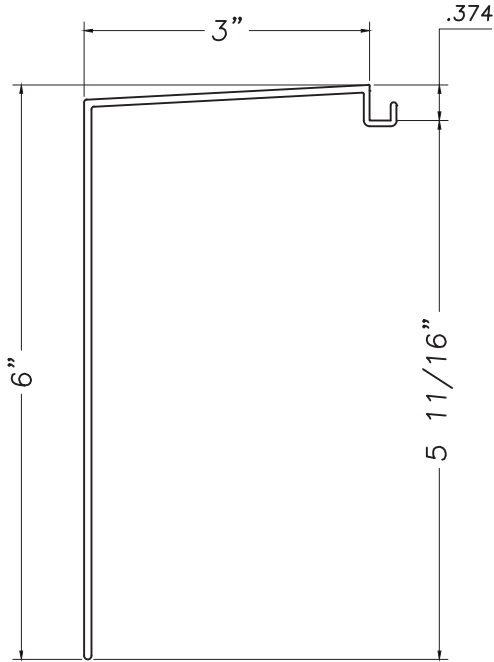
6" Head Panning

MAX9523-18'

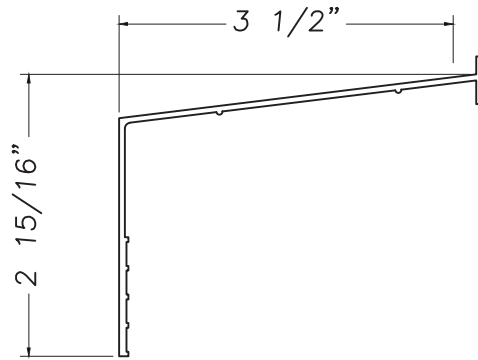




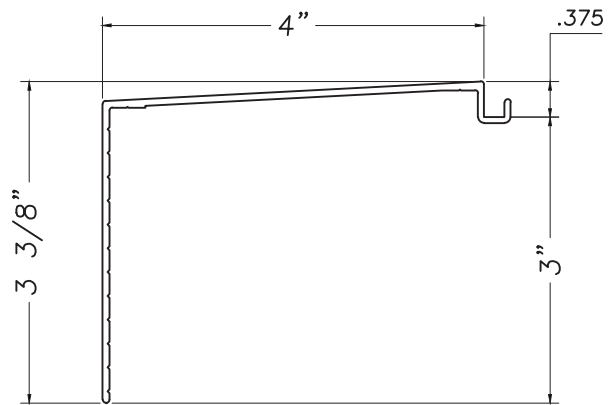
3" Sill Panning
M45725



3" Sill Panning
M6939



4" Sill Panning
MAX18052

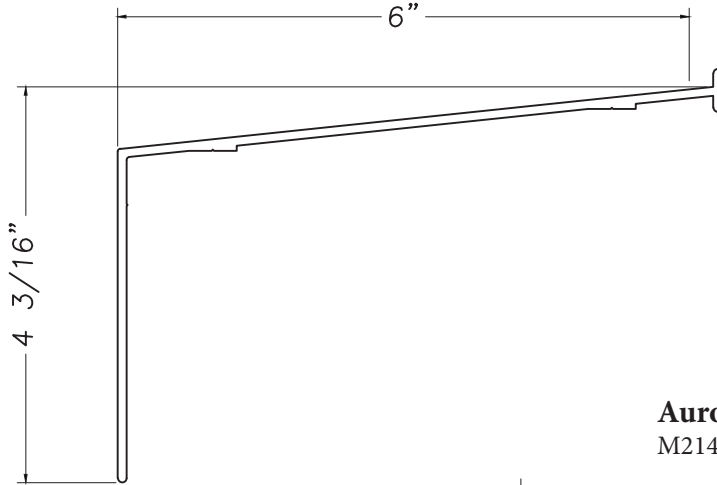


Our products are tested to the standards of and certified by the American Architectural Manufacturer's Association, the National Fenestration Rating Council and the Window & Door Manufacturers Association.





6" Sill Panning
M6938



Aurora Sill Panning
M21471

