



QUAKER
COMMERCIAL WINDOWS AND DOORS



**B500 Series
HC50**

**3 1/4" Frame Depth
Picture Window (Fixed)**

B500 SERIES PICTURE WINDOW (FIXED)

The Quaker Blast B500 Series Single Hung window is specially glazed specifically designed to meet ASTM F1642-04 (Standard Test Method for Glazing and Glazing System Subject to Airblast Loadings) resulting in a high GSA/ISC Performance Condition.

FEATURES

- ◇ **Commercial Framing System**
 - 3 1/4" main frame
 - 0.062" wall thickness of frame and sash
- ◇ **Enhanced Design**
 - Azon pour and debridge thermal break is 1/2" wide in all main frame and vent rail extrusions
- ◇ **Glazing**
 - 1" insulated glass

OPTIONS

- ◇ **Available Configurations**
 - Fixed
- ◇ **Muntin Choices**
 - Internal or simulated divided lites available
- ◇ **Nailing Fin**
- ◇ **Glazing**
 - Capillary tubes
 - Argon gas
 - Wide variety of glazing, tinting and thickness options
- ◇ **Panning & Trim Choices**
 - Wide variety of panning, receptor and trim available
- ◇ **Mulling**
 - Wide variety of structural mulls

BENEFITS

- ◇ The capacity to match exterior colors for unique project facades
- ◇ The ability to facilitate large sizes for taller and wider window openings

PERFORMANCE

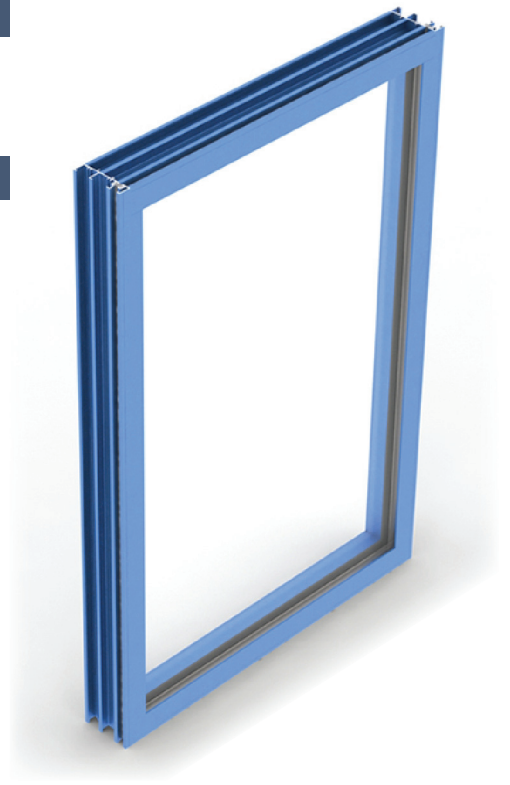
- ◇ **Structural & Blast** (test reports or thermal simulations available upon request)

Model	Picture Window (Fixed)
AAMA/WDMA/CSA 101/I.S.2/A440-08 Rating	HC50
Structural Load P.S.F.	75.0
Air at 50 MPH (cfm/ft ²)	0.1
Water (No Penetration) P.S.F.	12

- ◇ **Blast** (test reports or thermal simulations available upon request)

ASTM Hazard Rating	Very Low Hazard
GSA Performance Condition	3a
Average Peak Blast Pressure	6.8 psi
Average Positive Phase Impulse	44 psi-msec
Average Positive Phase Duration	14 msec

Window test size: 72" x 72"



Our products are tested to the standards of and certified by the American Architectural Manufacturer's Association, the National Fenestration Rating Council and the Window & Door Manufacturers Association.

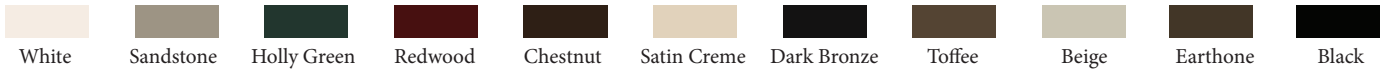


QUAKER
COMMERCIAL WINDOWS AND DOORS

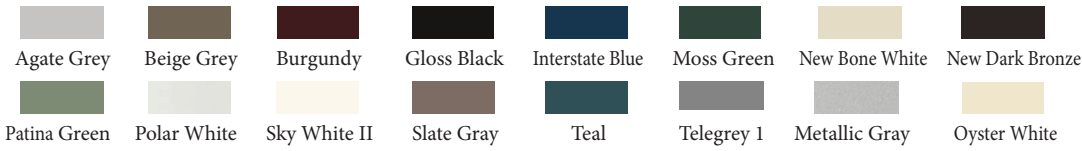
ARCHITECTURAL PAINT COATINGS AND FINISHES

◇ Baked on powder coat finish meets ANSA/AAMA 2604 specs and is available in unlimited colors

- 11 Popular Colors



- 16 Impressive Colors



- 7 Resemble Colors (painted finish resembling anodized)



- Unlimited Custom Colors

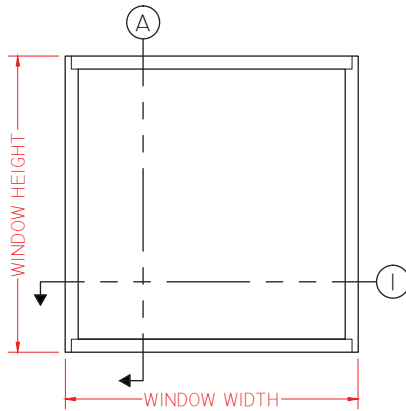
* Printed colors shown here may not accurately depict actual painted colors. Color samples are available upon request.

◇ ANSA/AAMA 2605 powder coat finishes

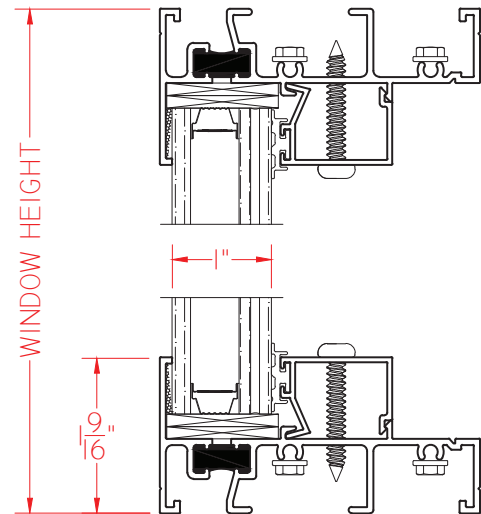
◇ AAMA 611-98 Class I clear and tinted anodized finishes

500 Fixed

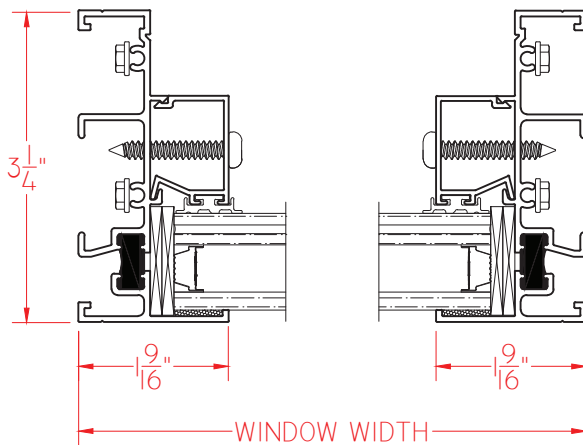
This document contains confidential and proprietary information intended for the private use of Quaker.
 © 2016 Quaker Window Products Co., INC. All rights reserved.
 Quaker reserves the right to change any/all designs without notice. Due to periodic re-certification requirements, result shown may vary.



Ⓐ Vertical Cross Section



Ⓛ Horizontal Cross Section



Our products are tested to the standards of and certified by the American Architectural Manufacturer's Association, the National Fenestration Rating Council and the Window & Door Manufacturers Association.

