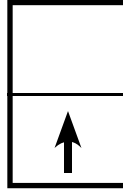




QUAKER
COMMERCIAL WINDOWS AND DOORS



B500 Series
AW-PG50
3 1/4" Frame Depth
Single Hung

B500 SERIES SINGLE HUNG

The Quaker Blast B500 Series Single Hung window is specially glazed specifically designed to meet ASTM F1642-04 (Standard Test Method for Glazing and Glazing System Subject to Airblast Loadings) resulting in a high GSA/ISC Performance Condition.

FEATURES

- ◇ **Commercial Framing System**
 - 3 1/4" main frame
 - 0.062" wall thickness of frame and sash
- ◇ **Thermally Enhanced Design**
 - Azon pour and debridge thermal break is 1/2" wide in all main frame and vent rail extrusions
 - Double fin-type weatherstripping
 - Full width lift handles
- ◇ **Glazing**
 - 1" insulated glass
- ◇ **Hardware**
 - Block and tackle balancers
 - Gravity latch
- ◇ **Screen**
 - Extruded aluminum screen frame with BetterVue™ mesh

OPTIONS

- ◇ **Available Configurations**
 - Single hung
 - Oriel single hung
- ◇ **Muntin Choices**
 - Internal or simulated divided lites available
- ◇ **Hardware**
 - Class 5 balancers
 - Limited travel latch
- ◇ **Nailing Fin**
- ◇ **Screen**
 - Extruded aluminum screen frame with aluminum wire mesh
 - Extruded aluminum screen frame with sunscreen mesh
 - Extruded aluminum screen frame with stainless steel 0.009" thickness mesh
- ◇ **Glazing**
 - Capillary tubes
 - Argon gas
 - Wide variety of glazing, tinting and thickness options
- ◇ **Panning & Trim Choices**
 - Wide variety of panning, receptor and Blast snap trim available
- ◇ **Mulling**
 - Wide variety of structural mulls

BENEFITS

- ◇ The capacity to match exterior colors for unique project facades
- ◇ The ability to facilitate large sizes for taller and wider window openings

PERFORMANCE

- ◇ Structural & Blast (test reports or thermal simulations available upon request)

Model	Single Hung
AAMA/WDMA/CSA 101/I.S.2/A440-08 Rating	AW-PG50
Structural Load P.S.F.	75.19
Air at 50 MPH (cfm/ft ²)	0.03
Water (No Penetration) P.S.F.	10.03

Window test size: 60" × 99"
Operating Force: 19 lbf (maintain motion), 1 lbf (gravity latches)

Hazard Rating	Minimal Hazard
Peak Blast Pressure	6.3 psi
Positive Phase Impulse	45 psi-msec
Positive Phase Duration	15 msec

Window test size: 48" × 66"



Our products are tested to the standards of and certified by the American Architectural Manufacturer's Association, the National Fenestration Rating Council and the Window & Door Manufacturers Association.

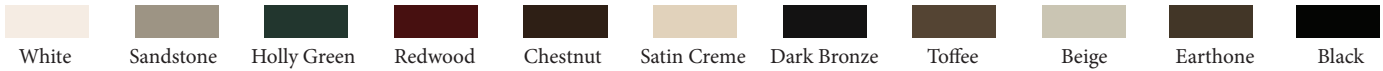


QUAKER
COMMERCIAL WINDOWS AND DOORS

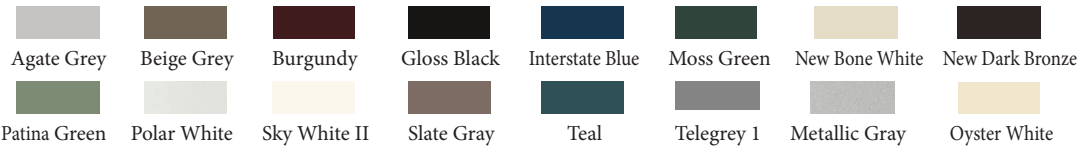
ARCHITECTURAL PAINT COATINGS AND FINISHES

◇ Baked on powder coat finish meets ANSA/AAMA 2604 specs and is available in unlimited colors

- 11 Popular Colors



- 16 Impressive Colors



- 7 Resemble Colors (painted finish resembling anodized)



- Unlimited Custom Colors

* Printed colors shown here may not accurately depict actual painted colors. Color samples are available upon request.

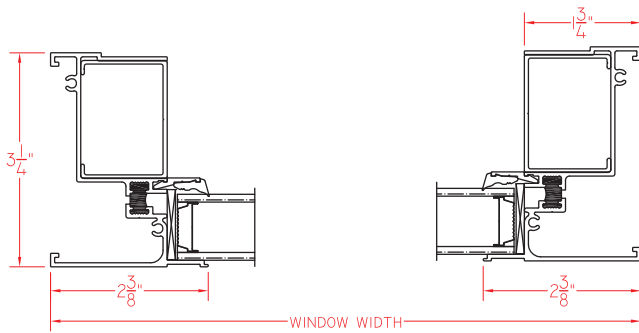
◇ ANSA/AAMA 2605 powder coat finishes

◇ AAMA 611-98 Class I clear and tinted anodized finishes

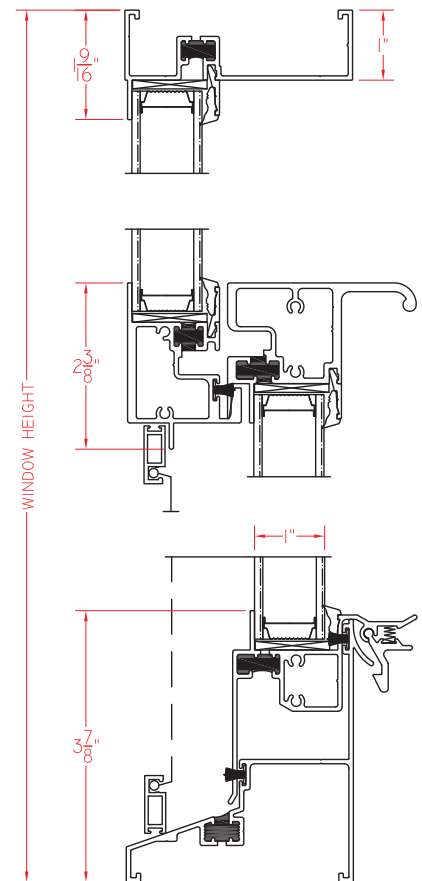
B500 Single Hung

This document contains confidential and proprietary information intended for the private use of Quaker.
 © 2016 Quaker Window Products Co., INC. All rights reserved.
 Quaker reserves the right to change any/all designs without notice. Due to periodic re-certification requirements, result shown may vary.

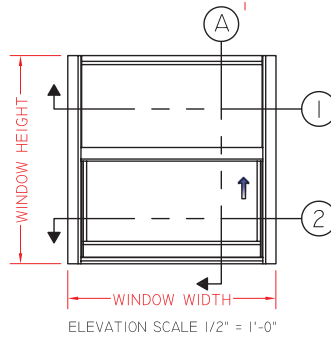
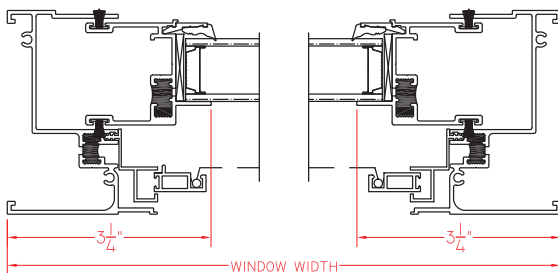
① Horizontal Cross Section



Ⓐ Vertical Cross Section



② Horizontal Cross Section



Our products are tested to the standards of and certified by the American Architectural Manufacturer's Association, the National Fenestration Rating Council and the Window & Door Manufacturers Association.

